

TORQ-SPOOL



99%

Accurate Torque Readings

CMI
CONCEPT

MEASUREMENT INC.

WWW.CONCEPT-CMI.COM

New Product **TORQ SPOOL**

Concept Measurement is pleased to announce their latest products, the Torq Spool family of measurement devices for the helical pile installer. This is a flanged "spool" version of our successful Torq Hub product line. This unit is intended for sale to larger applications, and those for which we do not have a Torq Hub model to fit (due to differing output shaft sizes and designs amongst drive manufacturers).

Utilizing the same patented technology as our Torq Pin and Torq Hub products, it delivers over 99% accurate torque readings. Data is sent over a robust 2.4 GHz RF FHSS signal to the handheld display/ datalogger.

The Torq Spool reliably and accurately measures torque forces in either ft/lb or N-m, as well as pile/ anchor inclination.

This torque monitoring and data logging device mounts directly beneath anchor drive units, simply bolt on a Kelly (drive shaft) adaptor for your particular drive's output shaft. Build your own adaptor, or Concept will quote yours for a turn-key package.



Wireless signal is 2.4 GHz FHSS RF. Outdoor range—up to 2.5 miles (4 km) Frequency Hopping Spread Spectrum technology allows clear communication across up to 79 frequencies.

7" Window OS LCD touchscreen in a rugged ABS casing. Designed to IP67 ingress protection.

Circuit boards, firmware and software all designed by CMI specific to the application. Fully potted, sealed, gasketed and cushioned to ensure maximum protection and long life.





Improved Reporting

CMI is pleased to introduce our vastly improved reporting capabilities.

- Reports are exportable directly from the display, either via email using a smartphone with its' hotspot enabled, or through the onboard USB port connected to a flash drive
- Reports are exported as both bare data (.dat file – open with Excel), and as a PDF line chart as shown below. One cover page for the job and a page for each individual pile is generated

UTILCON Torque Report

Job: UTILCON

Pile	Date Erected	Target Torque	Achieved Torque	Page
JIM 1	15-Dec-2016	25,000lb-ft	33,895N.m	2

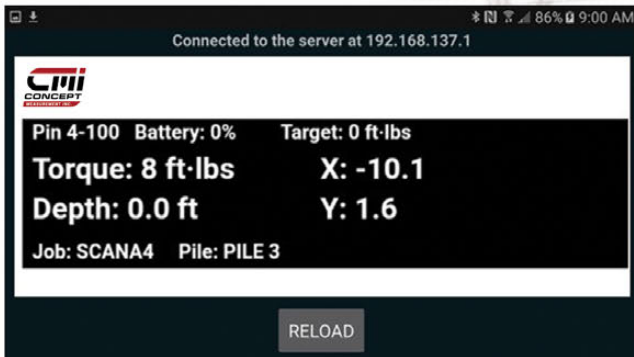
User customizable client name and job information (Client logo's can easily be added with any 3rd party PDF editor software)

UTILCON Torque Report

Pin Name:	JIM 1
Target Torque:	25,000 (ft-lbs) 33,895 (N.M)
Maximum Torque:	26,270 (ft-lbs) 35,620 (N.M)
Target Depth:	10 (ft) 3.1 (m)
Maximum Depth:	5 (ft) 1.5 (m)
Latitude:	0
Longitude:	0
Date:	15-Dec-2016
Notes:	

Simple to review look for torque data exceeding user preset threshold.

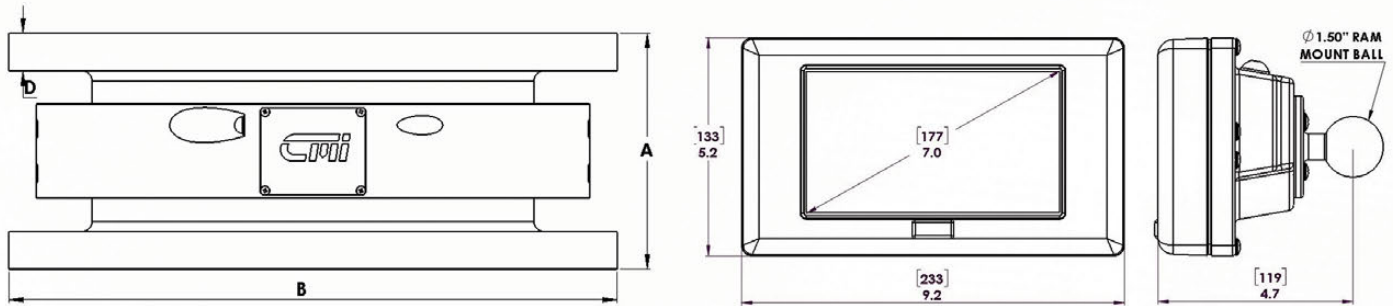
Smartphone Apps



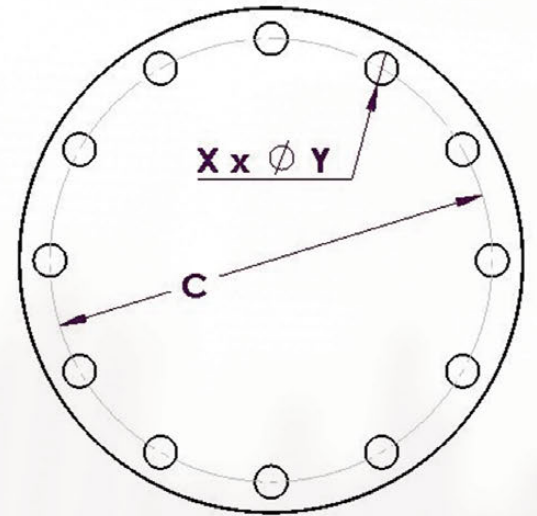
CMI is now offering a free smartphone app for both iOS (Apple) and Android (Samsung, etc) users.

- Available for FREE download from either the Apple App Store or Google Play.
- Allows a user to remotely monitor torque and inclination data for piles/ anchors as they are installed via a WiFi connection between their smartphone and our display.

COMPLETE FORCE MEASUREMENT



Rated Output (R.O.):	2 mV/V nominal
Nonlinearity:	0.1% of R.O.
Hysteresis:	0.1% of R.O.
Nonrepeatability:	0.05% of R.O.
Zero Balance:	1.0% of R.O.
Compensated Temp. Range:	60° to 160° F
Safe Temp. Range:	-65° to 200° F
Temp. Effect on Output:	0.005% of Load/° F
Temp. Effect on Zero:	0.005% of R.O./° F
Terminal Resistance:	350 ohms nominal
Excitation Voltage:	5 VDC
Safe Overload:	150% of R.O.



PART NO.	TORQUE RATING (MAX)	"A"	"B"	"C"	"D"	"Y"	"X"	Weight
TQSP-30K	30,000 ft-lb/ 40,674 N-m	7.00" 178mm	9.00" 229mm	7.63" 194mm	0.75" 19.1mm	0.63" 15.9mm	12 Holes	62 lb 28.1 Kg
TQSP-70K	70,000 ft-lb/ 94,907 N-m	7.73" 196.3mm	10.24" 260mm	8.63" 219mm	1.05" 26.7mm	0.75" 19mm	12 Holes	118 lb 53.5 Kg
TQSP-150K	150,000 ft-lb/ 203,373 N-m	8.50" 216mm	14.0" 356mm	12.00" 305mm	1.25" 31.8mm	1.00" 25.4mm	12 Holes	250 lb 113.3 Kg
TQSP-250K	250,000 ft-lb/ 338,954 N-m	9.25" 235mm	17.52" 445mm	15.551" 395mm	1.38" 35mm	1.13" 30mm	12 Holes	434 lb 197 Kg
TQSP-375K	375,000 ft-lb/ 508,431 N-m	9.25" 235mm	23.75" 603mm	21.75" 552.5mm	1.50" 38.1mm	1.13" 28.6mm	16 Holes	818 lb 371 Kg



Ph: 403.340.3466

Fax: 403.340.3456

Email: info@concept-cmi.com

Web: www.concept-cmi.com

310 Burnt Park Way #100, Red Deer County, AB T4S 2L4