

MASS-LINK



New Product **MASSLINK OHC**

**Bluetooth® Low Energy (BLE) transmitting
to free iOS™ & Android™ Apps**



CMI
CONCEPT

MEASUREMENT INC.

WWW.CONCEPT-CMI.COM

MASS-LINK	
HELP	
Forklift [AABCD]	655 lbs
10:47:49 AM	
Overhead Crane 1 [AABCD]	1965 lbs
10:47:49 AM	
Overhead Crane 2 [AABCD]	8997 lbs
10:47:49 AM	
Weight Scales [E548]	0 lbs [T]
SAME - 8 lbs	
Group 1	
Members	10962 lbs
Overhead Crane 1 [1965 lbs]	
Overhead Crane 2 [8997 lbs]	

LIVE FEED DATA LOGGING ABOUT

New Product

MASSLINK OHC

Concept Measurement Inc. is pleased to announce their latest product, the MassLink OHC tension load cell. Developed for measuring lifted mass below an overhead crane hook or horizontal pulling, it delivers over 99% accurate (NIST traceable) mass measurements. Data is sent over a robust Bluetooth® Low Energy – BLE signal. This eliminates the need for costly, specialty displays to be purchased from the load cell manufacturer. Simply download the free "CMI MassLink" app from Google Play™ or Apple App Store®.

The MassLink reliably and accurately displays lifted weights in ton (US lb) and tonne (metric Kg). The MassLink can be used as a stand-alone unit, or multiple MassLink load cells can be used, all displaying on one or multiple smartphones/ tablets. Our app allows grouping of several units, displaying both the individual values, as well as a summed value



Wireless signal is Bluetooth® Low Energy – BLE range – 25 - 90 meters depending on the receiver (smartphone/tablet)



MassLink OHC Load Cell
(single or multiple load cells)
DESIGNED IN ACCORDANCE
WITH ASME B30.26

Multiple MassLinks transmitting to one (or several) handheld devices – simply group them together (within the app) for a summed weight value – no additional hardware required”

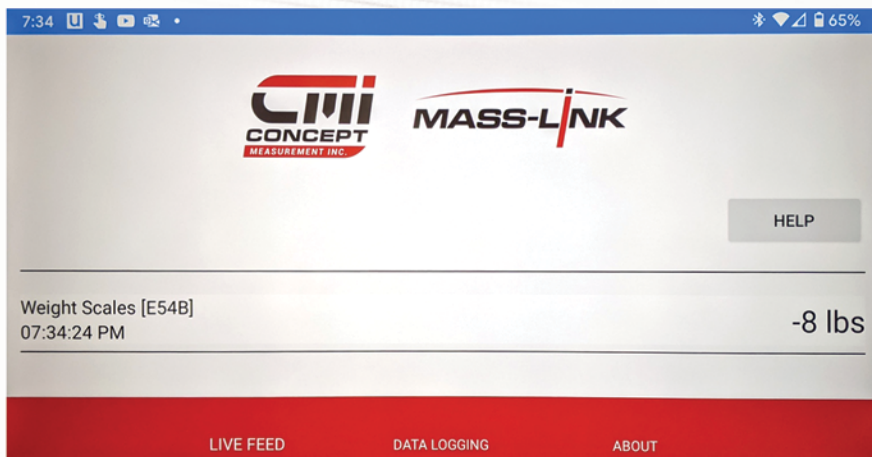


Load the Android MassLink app on to any Android™ Smart TV – for a quick large-format display option.

“Plug & Play” Set-Up

- Easy Set-Up
- Download Free App – for Smartphone or Tablet (Android™ or iOS™)
- Turn MassLink on – app should connect automatically
- If you would like a larger display – purchase an Android™ Smart TV and install the CMI MassLink Android™ app directly on the TV.

Alternatively, add Google Chromecast™ hardware to any large screen TV with an HDMI port - and cast/share the CMI App from your Android™ device.

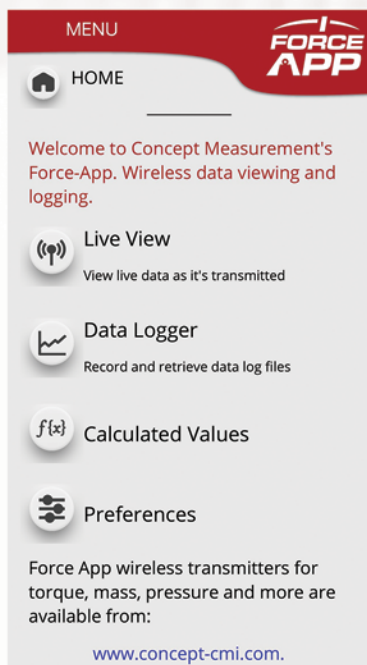


Large screen option - Android™ Smart TV with CMI MassLink App installed.

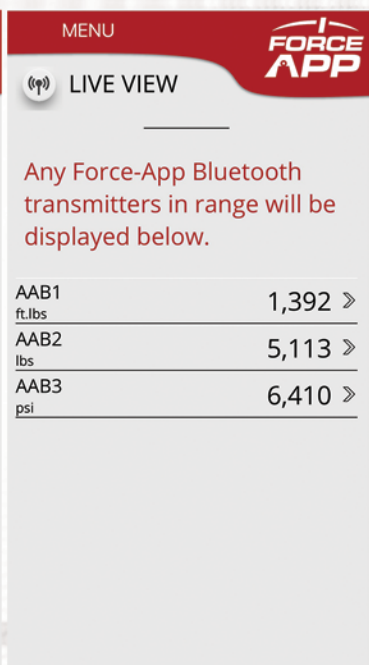


Smartphone App

- CMI's new smartphone App—for both iOS (Apple) and Android
- Connect to any CMI load cell or transducer that is Bluetooth® enabled
- Display, Log and generate .pdf and .csv files—which can be emailed directly from your smartphone or tablet.
- Multiple load cell or other sensor values can be grouped—and calculated to add, sub-tract or add an offset—with new “Calculated Values” option.



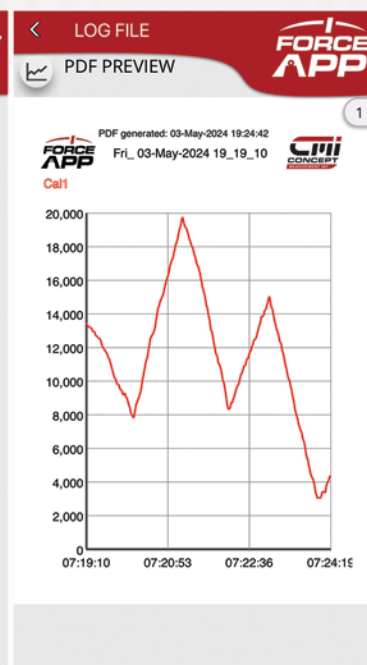
App will automatically discover all transmitters within range



Live view of all transmitters

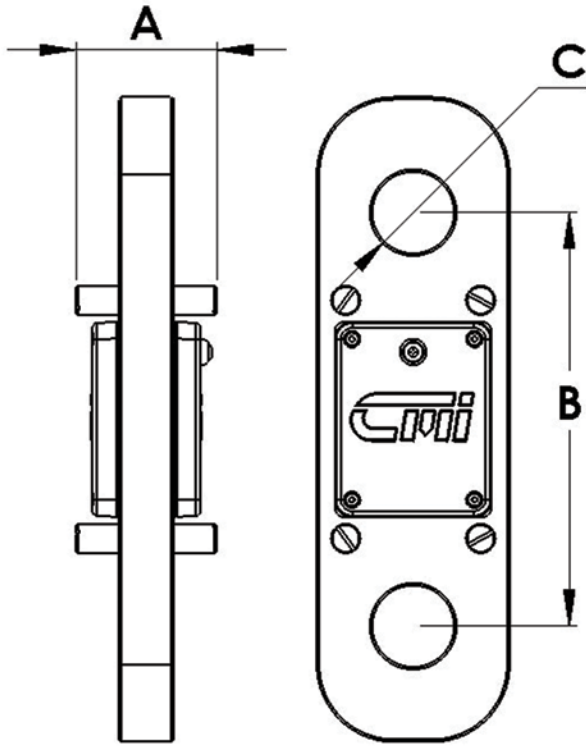


Calculated values—sum, subtract or add other calculations/ relations to view or datalog a derived value



View or export datalog reports in either PDF or csv (Excel) file types. Email directly for your smartphone/ tablet.

COMPLETE FORCE MEASUREMENT



Units:	lb, Kg, ton, tonne
Resolution:	1 Kg, lb - 1.111 tons, tonnes
Accuracy:	+/- 1.0% F.S.O.
Safe Temp. Range:	-65° to 100°F
Excitation Voltage:	3 VDC
Safe Overload:	200% of R.O.
Batteries:	2 ea - D Cell Alkaline
Battery Life:	72 Months <i>(24 hr operation/1 reading per second)</i>
Range:	90m (295 feet)
Environmental Sealing:	Designed to IP67 Requirements

PART NUMBER	DIM A	DIM B	DIM C	WLL <i>(Working Load Limit)</i>	WEIGHT
MLS-6.5T	82.55mm	209.55mm	28.58mm	5.9 tonne (5900kg)	4.99 kg
	3.25"	8.25"	1.13"	6.5 US ton (13,000 lb)	11 lbs
MLS-12T	92.55mm	254mm	41.28mm	10.9 tonne (10,900kg)	7.71 kg
	3.75"	10.00"	1.63"	12 US ton (24,000 lb)	17.00 lbs
MLS-25T	92.96mm	273.05mm	53.98mm	22.68 tonne (22,680kg)	12.93 kg
	3.66"	10.75"	2.13"	25 US ton (50,000 lb)	28.50 lbs
MLS-55T	80.01mm	292.10mm	63.00mm	49.9 tonne (49,900kg)	28.58 kg
	4.00"	12.25"	2.88"	55 US ton (110,000 lb)	63.00 lbs



P: 403.340.3466
E: info@concept-cmi.com
www.concept-cmi.com
 #104, 298 Burnt Park Way,
 Red Deer County, AB T4S 0K7

